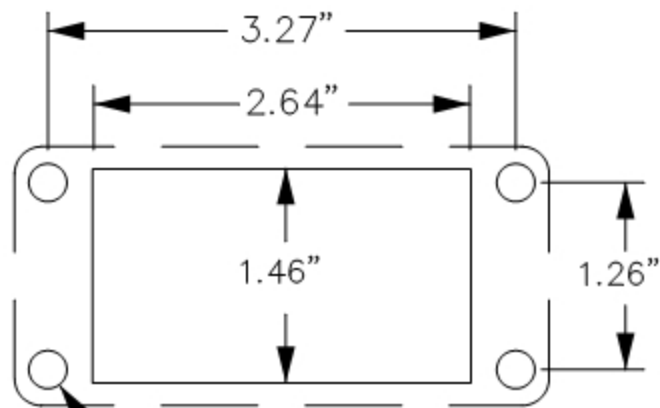
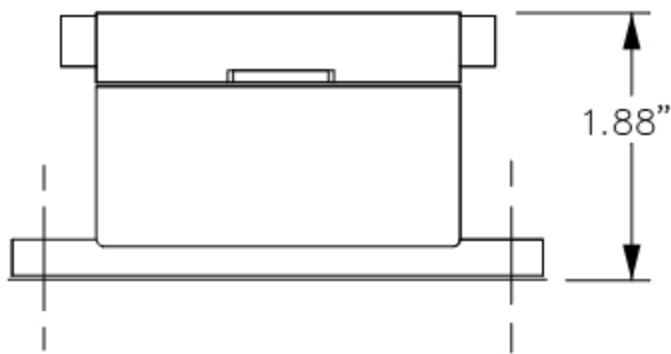
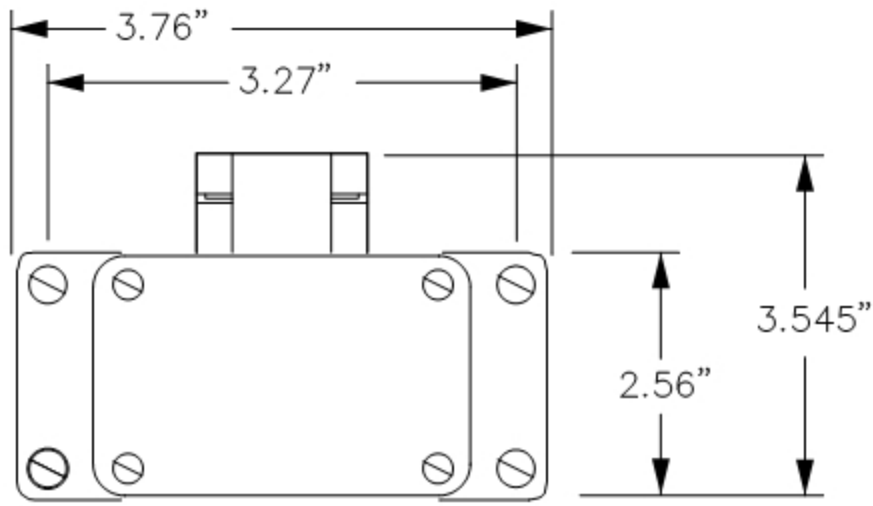


10 dimensions

(size 10 pin housing)



DRILL OR TAP FOR
#8-32 SCREW
(4) PLACES