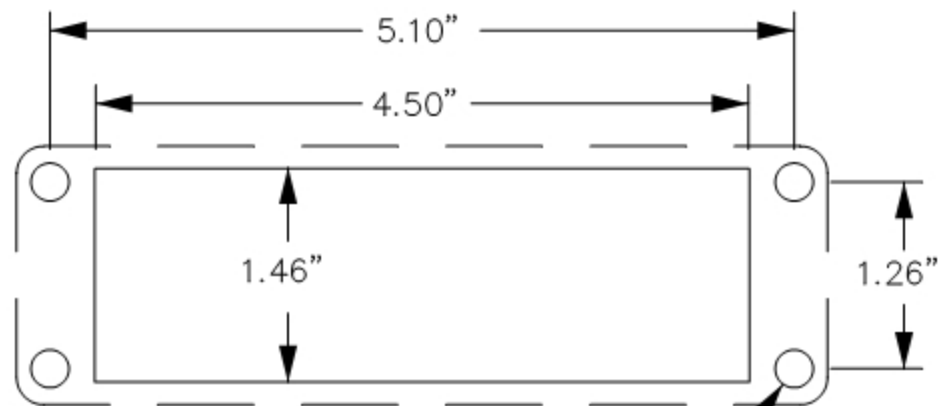
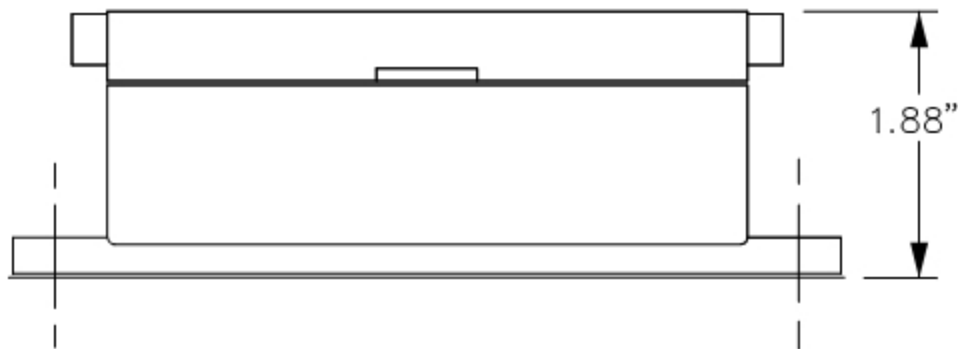
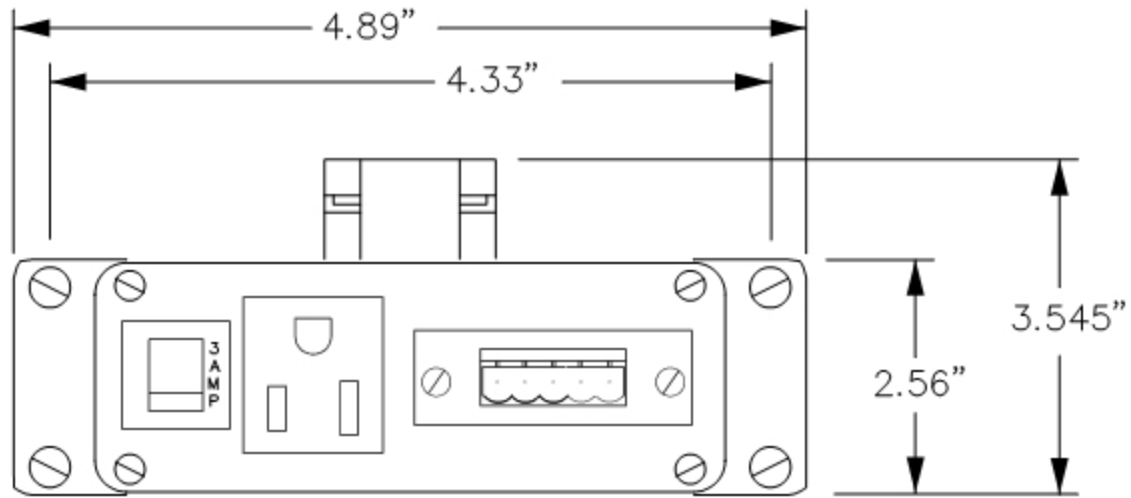


24 dimension

(size 24 pin housing)



DRILL OR TAP FOR
#8-32 SCREW
(4) PLACES